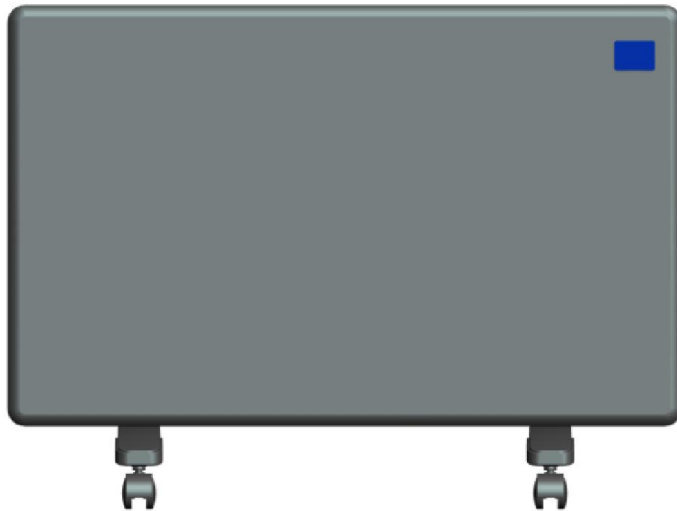


**NOVA LIVE “R”**  
ELECTRIC PANEL HEATERS

# User Manual

PLEASE READ AND SAVE THIS DOCUMENT



**Available Models:** 1000W, 1500W & 2000W

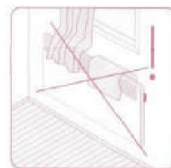


[www.nova-live.co.uk](http://www.nova-live.co.uk)

## IMPORTANT SAFEGUARDS

Before use, please read and follow all the instructions carefully even if you feel you are familiar with the product. It contains important instructions concerning the operation, safety and maintenance of the heater. Please keep it handy for future reference.

- Only connect the apparatus if the voltage indicated on the type plate corresponds with the mains voltage.
- In order to avoid overheating, do not cover the heater with towels, curtains etc.



- The heater must not be located immediately below a socket.

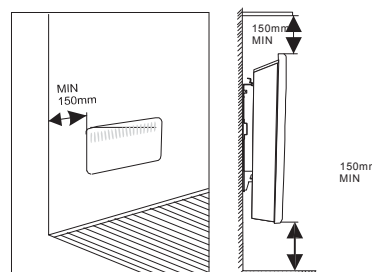


- Do not unplug by pulling on the cord. To unplug, grasp the plug, not the cord.
- Turn off the appliance and unplug from outlet when not in use and before cleaning. Allow it to cool down.
- Do not use the heater in areas where petrol, paint, or flammable liquids are used or stored.
- If the supply cord is damaged, it must be replaced by a service agent or equivalent qualified persons otherwise it may cause a hazard.
- This appliance is not intended for use by young children or uninformed persons unless they are adequately supervised by a responsible person to ensure that they can use the appliance safely.
- To protect against fire, electric shocks and injury to the user, please do not immerse appliance, power cord or plug in water or any other liquid.
- This appliance is for indoor use only.
- Do not handle plug with wet hands.
- To clean the heater it must be unplugged from the wall socket first. Then use a cloth to wipe the unit making sure the heater is dry before being turned back on.
- When the heater is working in free standing mode with the wheels attached, do not use this heater in the immediate surroundings of a bath, shower, swimming pool or any open water source.

- When the heater is working in wall mounted mode, the heater is to be installed so that switches and other controls cannot be touched by a person in the bath or shower.



- Fixing the heater correctly on the wall: The appliance should be installed at least 150mm from any obstruction on all sides



- Always unplug the heater and make sure it has cooled down before storage.

## DISPOSAL

This product must not be disposed of along with the domestic waste. This product has to be disposed at an authorized place for recycling of electrical appliances. By collecting and recycling waste, you help save natural resources, and make sure the product is disposed in an environmental friendly way.



## CONTROLS



### 1. General

When first powering the heater, it will make a beeping sound, the LED display will flash. The factory default, **high level** heat temperature is 20°C, this can be set from 5°C to 35°C by the user and will be displayed in LED window. **Low level** heat temperature is 5°C, and this cannot be altered. Default working mode is P1 and the time is Monday (d1), 12:00. The ⌚ symbol will flash to remind you to set the time.

When the heater is on and producing heat the ☀ symbol, will light on the LED display. The function module is equipped with an accurate thermal cut-out when the programmed temperature is achieved. It has a built in memory with 6 heating programs, of which 5 are pre-defined as “P1,P2,P3,P4,P5” and 1 is available for programming by the user as “UP”.

### 2. Setting the Day and Time:

When the panel heater is first installed, or has been switched off or disconnected from the mains supply for more than 72 hours, the Day and Time will need to be set again.

2.1 – Press the “Time” button. The LED display will display d.1, and “1” will flash. Use the “+” or “-” buttons to choose the correct day. It's from 1 to 7 which means from Monday to Sunday.

2.2 - Press the “Time” button. The LED display will flash “12”. Use the “+” or “-” button to choose the correct Hour. This is from 0 to 23.

2.3 - Press the “Time” button. The LED display will flash “0”, use the “+” or “-” button to choose the correct Minute. This is from 0 to 59.

2.4 - Press the “Time” button once more to save. The LED window will return to the display setting temperature, ⌚ will light off.

2.5 - If want to check the time, just press Time button once to show the Day, second time to show the Hour, third time to show the Minute, the fourth time to quit and return to the temperature display.

### 3. Setting the Temperature:

The LED display will show the current set temperature, press the “+” or “-” button to choose the required temperature, it's from 5°C to 35°C. During low heat time periods, it will display 5°C.

### 4. Description of the Programs Available:

There are 6 programs which switch the heating between Low Heat and High Heat at various times of the day and night. 5 of which are pre-defined and cannot be altered. These are displayed as “P1,P2,P3,P4,P5”. The other is the “UP” programs which can be defined by the user.

The table over the page shows the Low/High heat setting running times for each available program.

Pre-set program	Days	Description	LOW	HIGH	LOW	HIGH	LOW	HIGH	LOW
P1	Monday-Friday	9-5 Routine	00:00am-6:30am	6:30am-8:30am	8:30am-17:00pm	17:00pm-22:30pm	22:30pm-4:00pm		
	Saturday-Sunday		00:00am-7:30am	7:30am-10:00am	10:00am-12:00am	12:00pm-14:00pm	14:00pm-17:00pm	17:00pm-22:30pm	22:30pm-4:00pm
P2	Monday-Friday	Office	00:00am-6:00am	6:00am-17:00pm	17:00pm-24:00pm				
	Saturday-Sunday		00:00am-24:00pm						
P3	Monday-Sunday	CommercialLocation	00:00am-6:00am	6:00am-22:00pm	22:00pm-4:00pm				
P4	Monday-Sunday	Constant Heating		0:00am-24:00pm					
P5	Monday-Sunday	Frost Protection	0:00am-24:00pm						
UP		User program,Runs at the time defined by the user – See Section 4.2							

#### 4.1 Setting the Chosen Program:


To select a program to run:

- 1) Press the “Prog” Button on the side of the heater. The current selected program will be displayed;
- 2) Press “+” or “-” to scroll through the available programs until you find the required one.
- 3) Wait 5 seconds, the selected program will be saved and run, the LED display will once again show the current set temperature.

#### 4.2 - Changing the Settings for the User Program "UP":

The "UP" program allows the heater to be programmed to switch from low to high heat output settings at required times. Each day of the week can have different settings. A maximum of three interval high heat output times can be input per day. The time not covered in these 3 intervals will run at the low temperature setting (5°C)

To program the high level heating settings for the "UP" program:

- 1) Press the “Prog” button and “+” or “-” until “UP” is displayed on the LED display.
- 2) Press the “Time” button within 5 seconds, the LED display will show “d.1” and  will light on. You are now setting the first time interval for Monday.
- 3) Press the “Time” button within 2 minutes, the LED display will display “1”, You are now setting the Starting hour for the first time interval of the day.
- 4) Press “+” or “-”, the display will show “0” firstly, continue press “+” or “-” until the display shows the required starting hour.
- 5) Press the “Time” button, the LED display will now show the number 1 hour after the starting time. press “+” or “-” until get the required finished hour.
- 6) Press the “Time” button to save above setting, and LED display “2”, it comes to the 2nd time interval for high heat output.
- 7) Repeat step 3) to 6) to set the 2nd and 3rd intervals.
- 8) On setting all three intervals the heater will then move on to d.2 and you will need to repeat the

process for each day of the week. If you only need to set 1 or 2 time intervals for the day, just press the "Time" button until the LED Display shows the next d. number.

- 9) If all days have been set the unit will save the setting and
- 10) If no buttons are pressed within 2 minutes or you press the "Prog" button, it will quit setting and LED Display will show the set temperature once again.

### 5. Check the "UP" Program Setting:

- 1) Press the "Prog" and "+" or "-" to display "UP", then press "Time" for 3 seconds, LED window display "d.1", press "+" or "-" to choose from d1.d2.d3.d4.d5.d6.d7 to get the correct day you want to check.
- 2) Press "Time", the LED display "1"
- 3) Press "Time", the LED display will show starting hour.
- 4) Press "Time", the LED display will show finish hour.
- 5) Repeat step 2) to 4) to display 3rd high level heat output time interval.
- 6) If no time is input for a time interval, it will display "--".

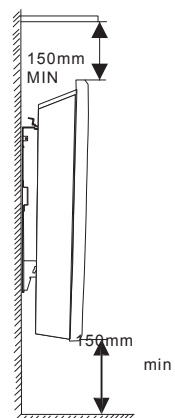
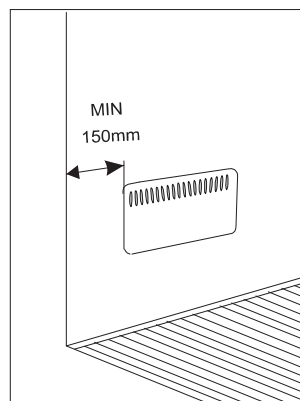
### 6. Child Lock:

- 1) Press the "Prog" button for 5 seconds, all the buttons will be locked, The symbol "🔒" will light on LED window.
- 2) Press the "Prog" button for 5 seconds again, all buttons will be unlocked.

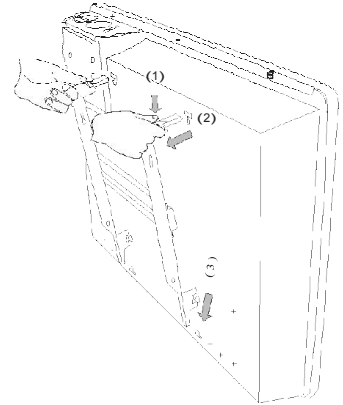
## INSTALLATION GUIDE

### For Wall Mounted Installation:

1. When mounting the heater on a wall do not attach the foot plates to the base.
2. Make sure the heater is unplugged and the power switches are off. Ensure the wall is suitable for mounting this panel heater.
3. Ensure the sides of the appliance have at least a 150mm clearance.



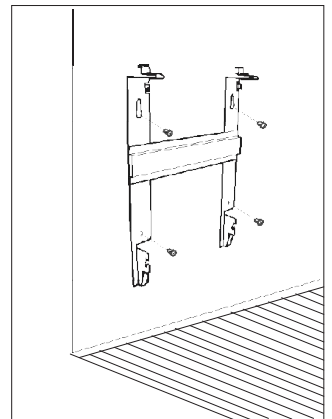
4. Detach the mounting bracket from the back of the panel heater following the steps below.



5. Positioning the bracket level on the wall mark your mounting holes and drill the holes as required.

6. Secure the mounting bracket to the wall with the 4 mounting screws provided.

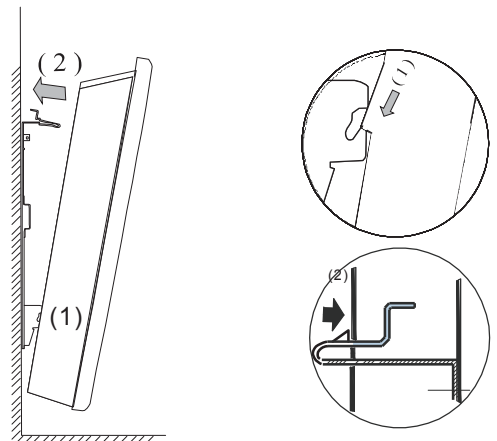
(For masonry walls use the plastic sheaths with screws provided)



7. Hang the hooks of the bracket into the back of heater. (Fig. 1).

8 Push the heater into the upright position, the upper hook will slide into the back of the heater. (Fig. 2).

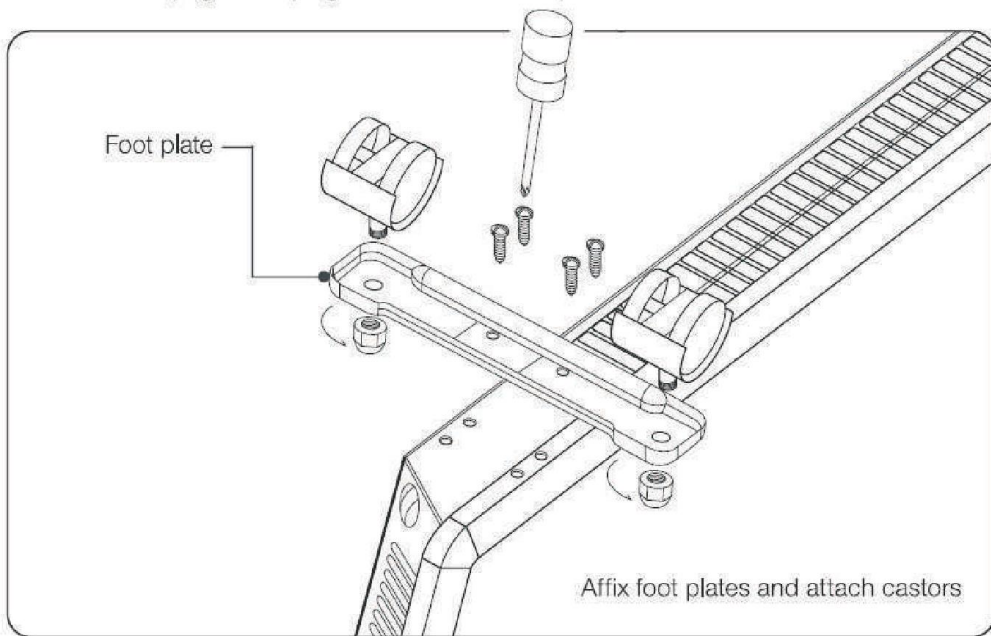
9. Plug or hardwire the heater into a 220~240 supply.



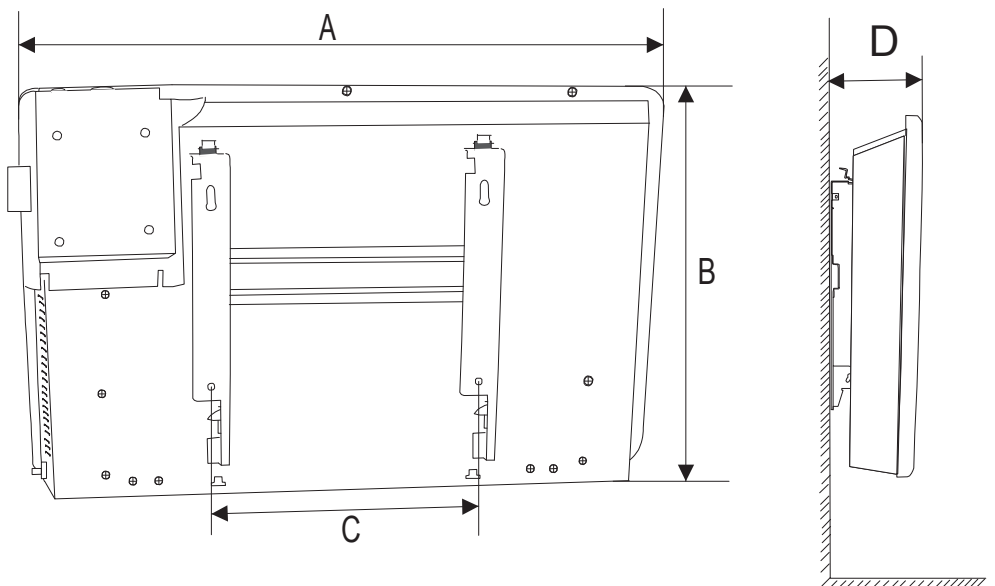
## INSTALLATION GUIDE

### For Freestanding Installation:

1. Be sure the heater is unplugged and the power switches are off.
2. Stand the heater upside down.
3. Locate the four holes at each end of the base of the heater.
4. Secure the foot plates to the base using the provided screws through these holes.
5. Set heater upright and plug into a standard 220~ 240 volt AC electrical outlet.



### Dimensions



## INSTALLATION GUIDE

Watts	A	B	C	D
1000	500	400	190	95
1500	640	400	190	95
2000	940	400	390	95

Above specification is subject to change without prior notice for purpose of improvement

## OVERHEAT PROTECTION

This product has protective safeguards that shut off the product when part become in danger of overheating. If it does overheat, switch off your panel heater and remove the main plug from the power socket. Allow your heater to cool for 45 minutes. The unit will work again when it has cool down.

Carefully check obvious cause like curtain or clothes that may have prevented air from accessing the inlet or outletgrill.

## CAREANDCLEANING

The heater requires regular cleaning to ensure trouble free operation:

- Unplug the heater from the mains supply before cleaning.
- Use a damp cloth to wipe the exterior of the heater to remove dust and dirt.
- Use a vacuum cleaner to remove dust and fluff from the inlet and outlet grills.
- To clean behind the heater (when mounted on a wall):unfasten the two hooks located on the top of the mounting bracket to tilt the heater forward. Whenthe heater is tilted forward, it is easier to clean behind it. It is important to returnthe heater to its original position after cleaning and to refasten the hooks.
- Ensure the heater is dry before plugging back into the mains supply.

---

If your heater does not work:

- Check that power is available to the heater.
- Check the ambient temperature of the room against the programmed set temperature.
- Check that the thermal cut-out has not operated.( Service staff only)
- Do not attempt to repair the heater.
- Please call your local dealer for service advise.